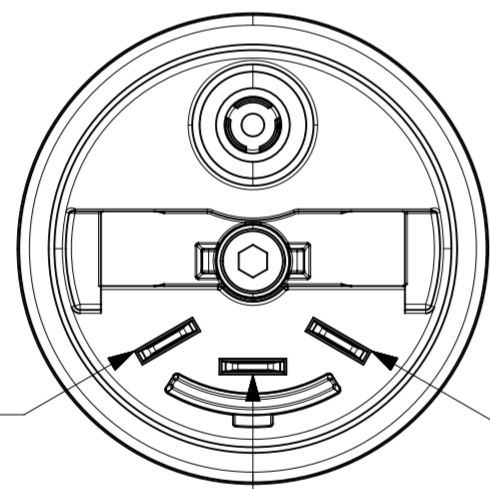
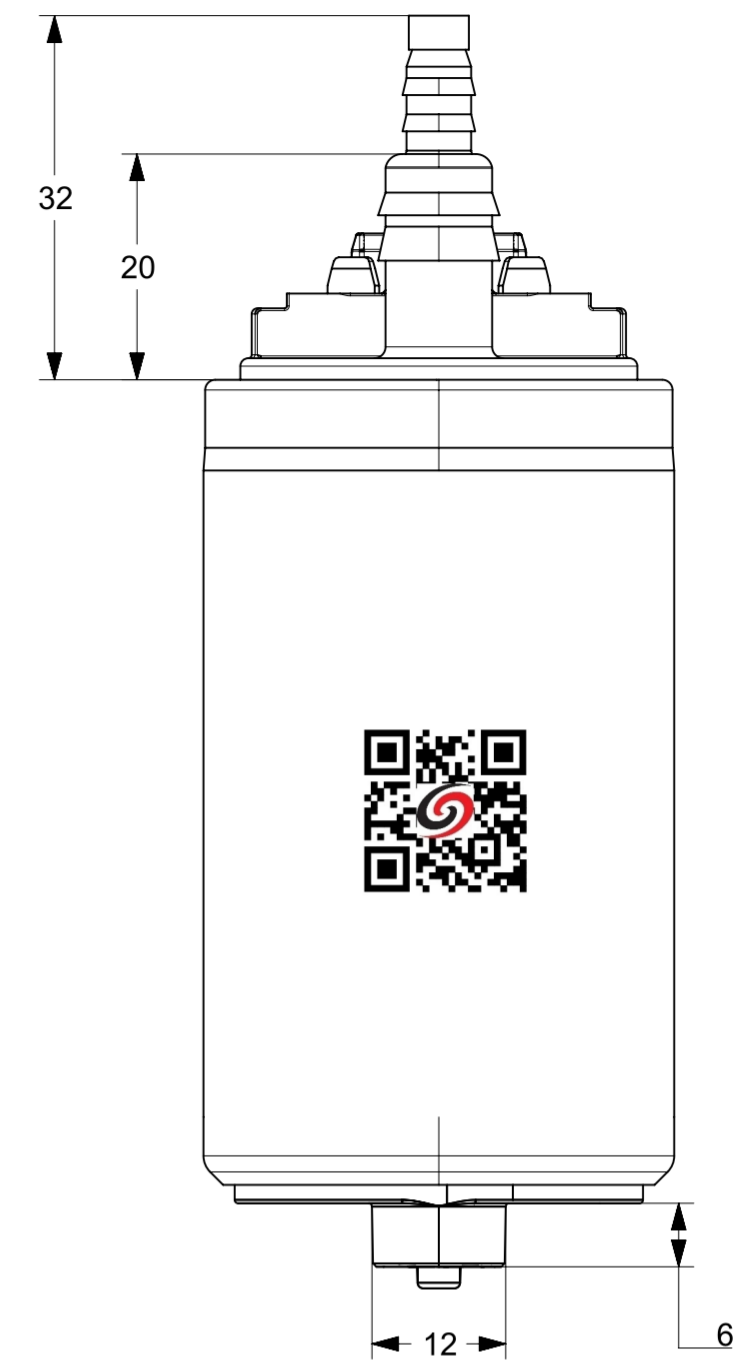
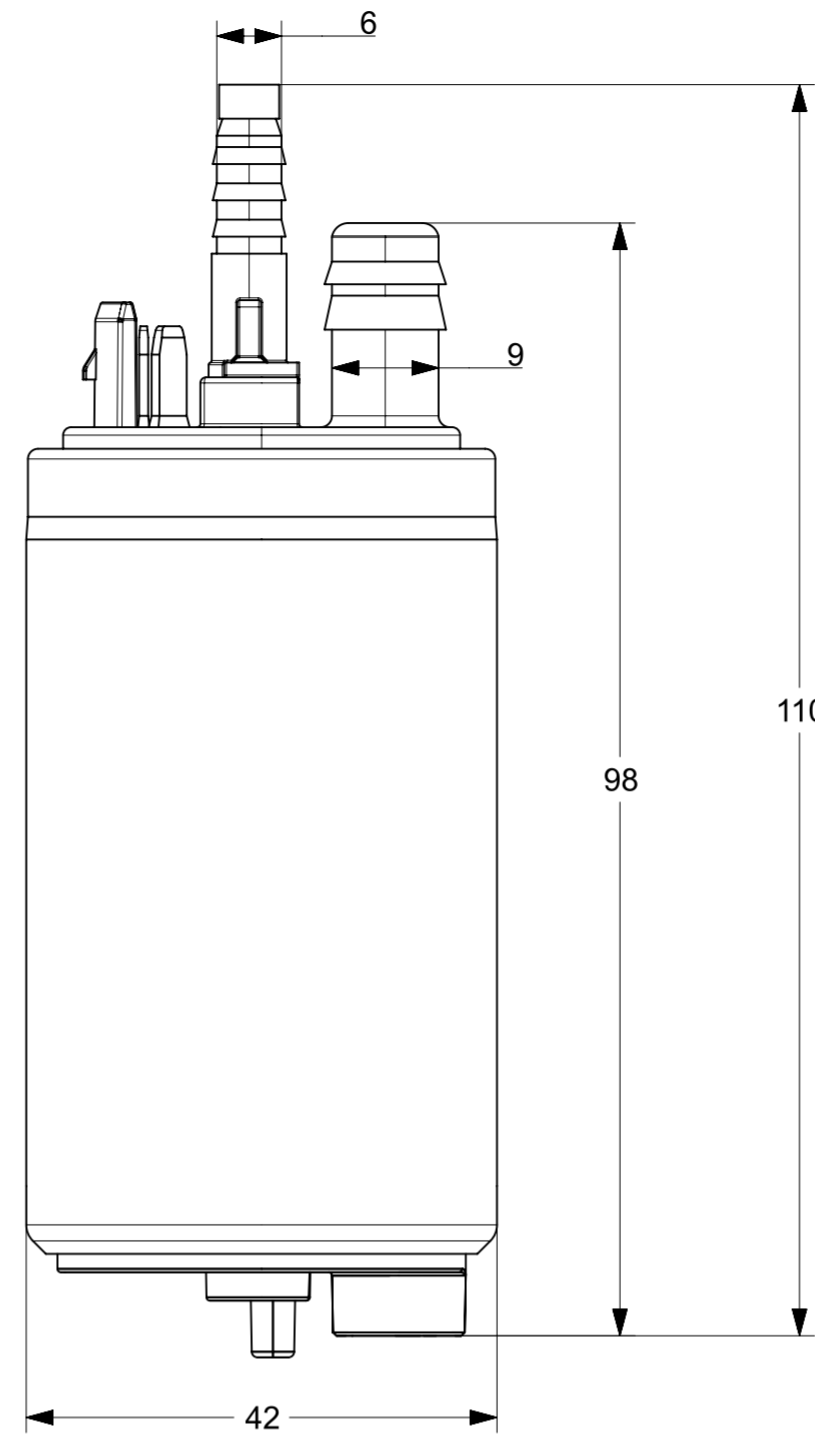


NOTES:

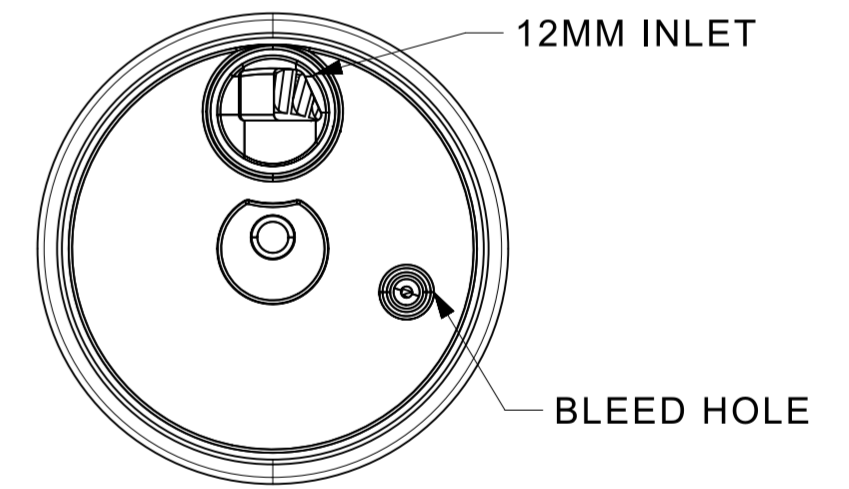
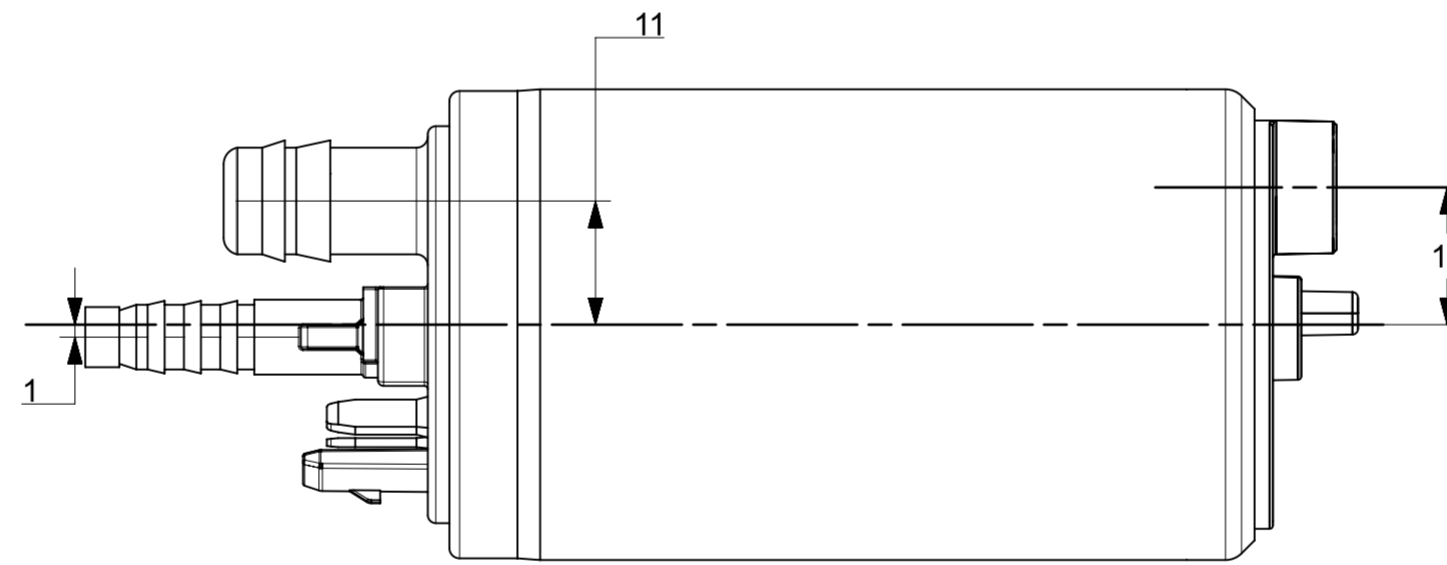
1. THIS DRAWING DESCRIBES THE COBRA COMPACT BRUSHLESS FUEL PUMP.
2. FEATURES INCLUDE:
 - THREE PHASE DC BRUSHLESS MOTOR WITH NEODYMIUM MAGNETS
 - WET MOTOR DESIGN, NO DYNAMIC SHAFT SEALS
 - TURBINE PUMP MECHANISM
 - WEIGHT 326g (0.718 lbs)
3. FUEL COMPATABILITY INCLUDES
 - GASOLINE (PUMP OR RACE)
 - METHANOL (PLEASE REFER TO THE INSTRUCTION SHEET FOR FURTHER INFORMATION)
 - ETHANOL (INCLUDING E85)
4. ALL MODELS OF THE COBRA COMPACT PUMP REQUIRE A BYPASS REGULATOR OR RELIEF VALVE TO AVOID OVER-PRESSURE OPERATING CONDITION.
5. EXTERNAL CONTROLLER REQUIRED (16440, 16441, 16442)
6. SEE TABLE BELOW FOR FLOW.

Ltr/Hr	US Gal/Hr	BAR	PSI	AMP
591	156	2	30	12.8
541	143	3.5	50	14.4
504	133	5	70	16.1
455	120	6	90	18
409	108	7.5	110	19.3
385	102	8	120	20

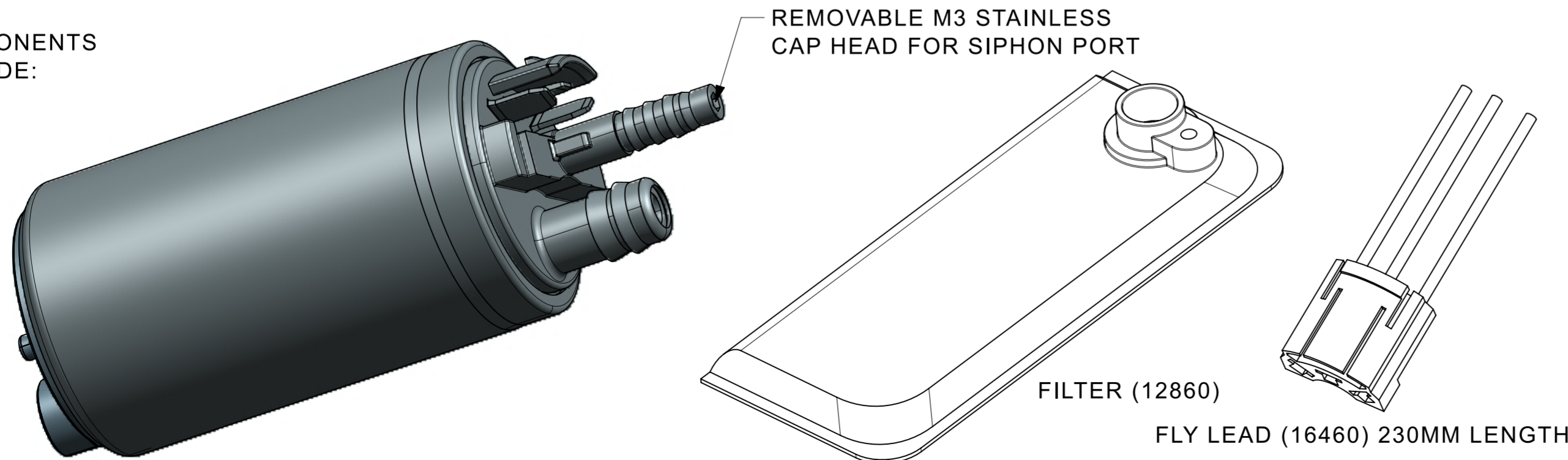
Asnu Flow rite test fluid, Relative Density: calculated 0.701 - 0.781
 Tested @13.8VDC
 @27 °C



C= YELLOW
 B= BLACK
 A= RED



COMPONENTS INCLUDE:



RADIUS: 0.2MM UNLESS OTHERWISE STATED	
CHAMFER: 0.2 X 45° UNLESS OTHERWISE STATED	
UNLESS OTHERWISE SPECIFIED DIMENSIONS ARE IN MILLIMETRES	
TOLERANCES:	
LINEAR: ±0.1MM	
ANGULAR: ±0.5°	
DEBUR AND BREAK SHARP EDGES	
PLEASE INFORM DRAWING OFFICE OF ANY ERRORS DO NOT SCALE DRAWING - IF IN DOUBT ASK	

THE DOCUMENT AND THE COPYRIGHT HEREIN ARE CONFIDENTIAL AND THE PROPERTY OF PROTEC FUEL SYSTEMS LTD. AND MUST NOT BE COPIED OR DISCLOSED TO ANY THIRD PARTY IN SUCH A MANNER AND HAVE SUCH PURPOSE AS ARE AUTHORISED IN WRITING BY PROTEC FUEL SYSTEMS LTD.



TITLE HIGH FLOW COBRA COMPACT WITH 9MM BARB OUTLET AND SIPHON PORT BRUSHLESS FUEL PUMP			
PART NUMBER 11908	MATERIAL STEEL BODY FINISH MATTE SILVER	DRAWING NUMBER 20-12-910000	REVISION 1
SCALE: 1:1		SHEET 1 OF 1	