

Technical Bulletin 023 – Zero 360 & Zero Zero Data Sheet

Rev3 03/03/2016

Other References	
TB009	Extinguisher Selection
TB010	Plumbed-in System Installation Guide
TB013	Zero 360/Zero Zero FIA Kit Content and Spares
TB020	Motorsport Regulation Changes

Overview

Zero 360 and Zero Zero– Lifeline’s range of fire suppression systems designed specifically to meet the needs of the competition car user.

Resulting from probably the most extensive development and test programme **Zero 360 and Zero Zero** brings new levels of fire protection combined with significantly improved transportation and servicing benefits to meet the needs of our worldwide customers.

Using 3M™ Novec 1230™ environmentally friendly extinguishant you are assured of superior results. **Zero 360 and Zero Zero** system discharge is achieved through specially designed high flow nozzles optimised to suit the Novec™ 1230 product and creating a fire smothering gas cloud in the engine and crew compartments.

To help reduce life cycle costs and down times we have also included provision for teams to carry out refilling operations in-house, subject to training and equipment.

Available in 1.5kg, 2.25kg and 3.0 kg sizes with electric, pull cable or remote pressure discharge activation, all parts are CAD designed for optimum performance. Each part of every fitting kit has been carefully designed and specified for a professional and simple installation.





Specification

Description	Zero 360, Zero Zero
FIA Homologation	EX.017.03*, EX.019.05*, EX.027.08, EX.028.08
Contents	FE36™*, Novec 1230™
Discharge System	Mechanical, Electrical, Remote
Cylinder Material	Steel or Aluminium Alloy
Temperatures	-10 to +60°C

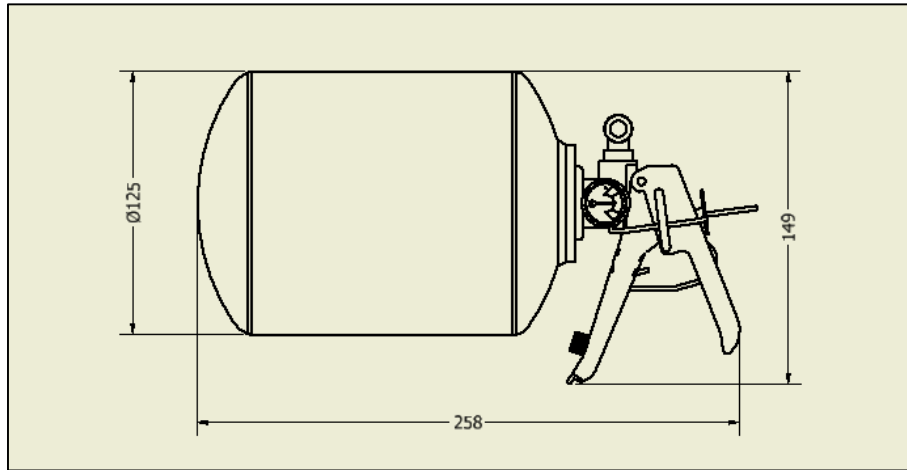
*FE36 systems are being phased down due to EU F Gas regulation

Weights and Dims

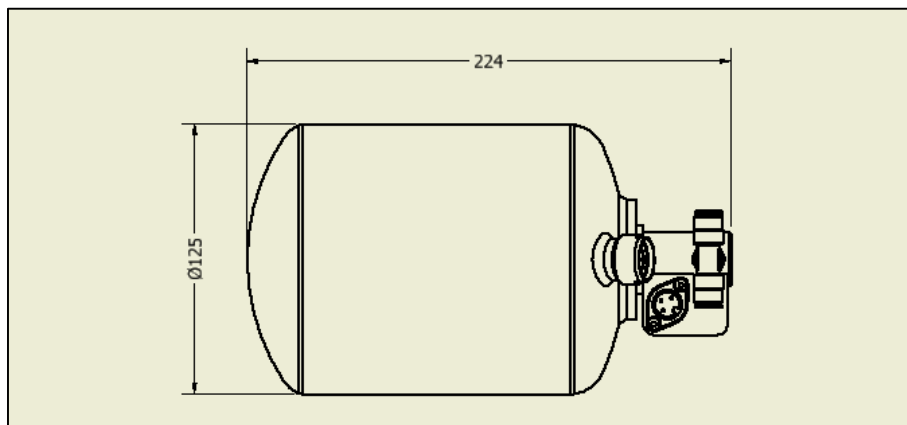
System Number	Type	Capacity	Cylinder Weight	Cylinder Dimensions (Length x Width/Height x Diameter)
104-225-001	FIA TL 16	2.25kg	3.3kg	258 x 149 x Ø125
104-225-002	FIA TL 16	2.25kg	3.0kg	224 x Ø125
104-225-003	FIA TL 16	2.25kg	3.0kg	221 x Ø108
104-225-011	FIA TL 16	2.25kg	3.68kg	268 x 149 x Ø125
104-300-001	FIA TL 16	3.0kg	4.2kg	272 x Ø108
104-300-002	FIA TL 16	3.0kg	3.9kg	319 x 149 x Ø125
104-300-003	FIA TL 16	3.0kg	3.9kg	288 x Ø125
104-150-001	FIA TL 16	1.5kg	2.4kg	274 x 136 x Ø100
104-150-002	FIA TL 16	1.5kg	2.15kg	241 x Ø100
104-150-003	FIA TL 16	1.5kg	2.1kg	227 x Ø90

* PLEASE NOTE: ALL DIMENSIONS AND MASSES ARE BASED ON THE CYLINDER ONLY, THEY DO NOT INCLUDE NOZZLES, TUBING, AND HOSES ETC.

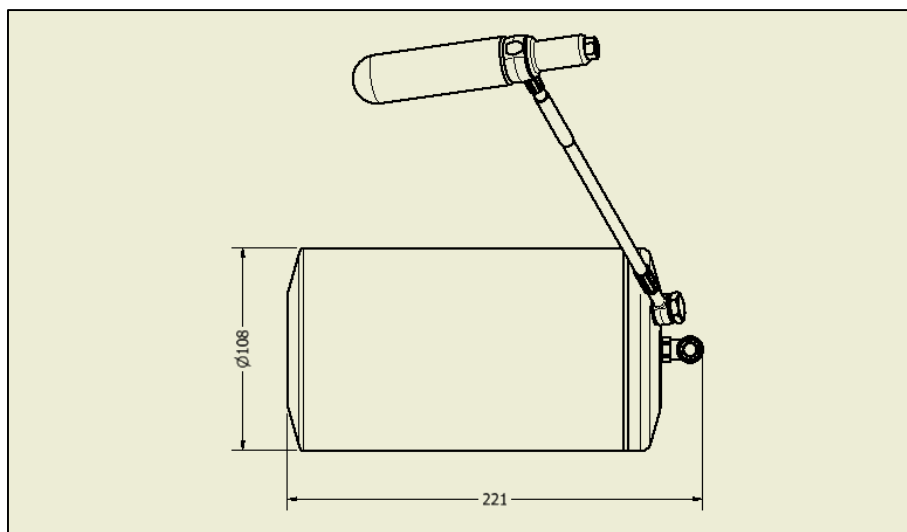
Cylinder Drawings



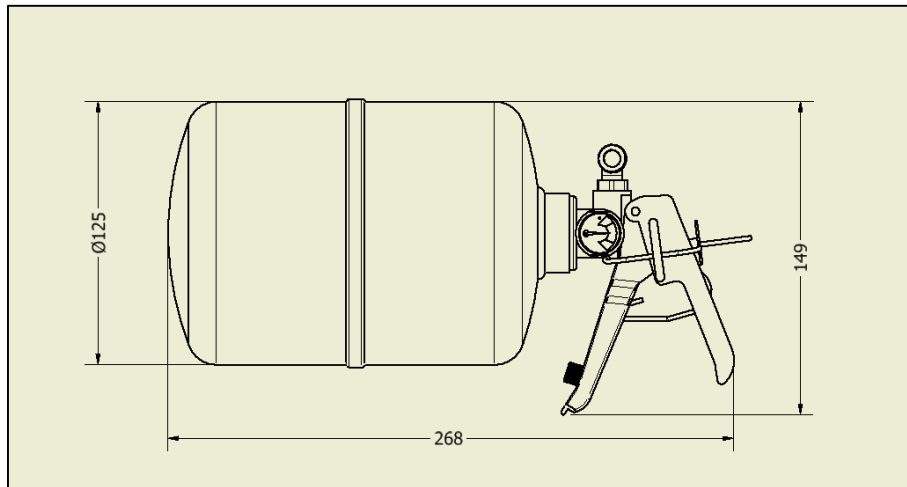
104-225-001-B Zero 360 FIA 2.25kg Novec 1230 Stored Pressure Mechanical



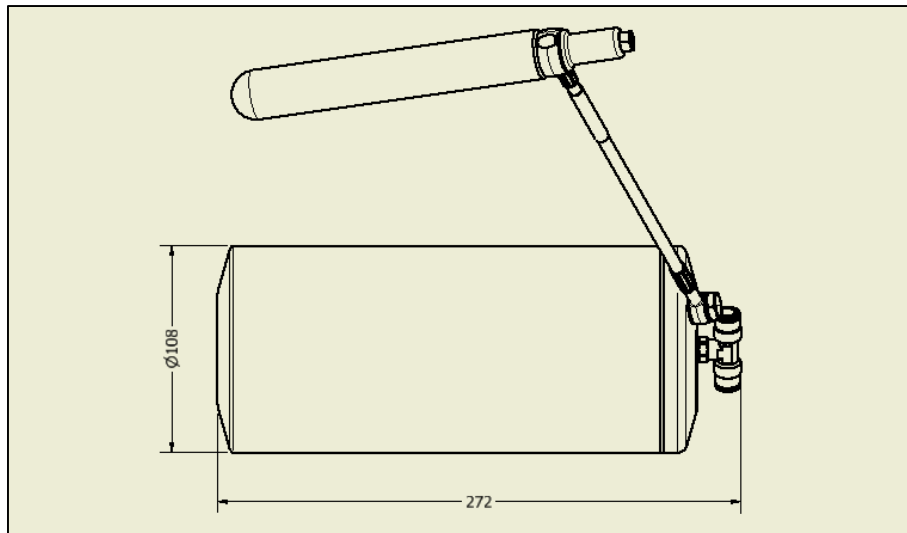
104-225-002-B Zero 360 FIA 2.25kg Novec 1230 Stored Pressure Electrical



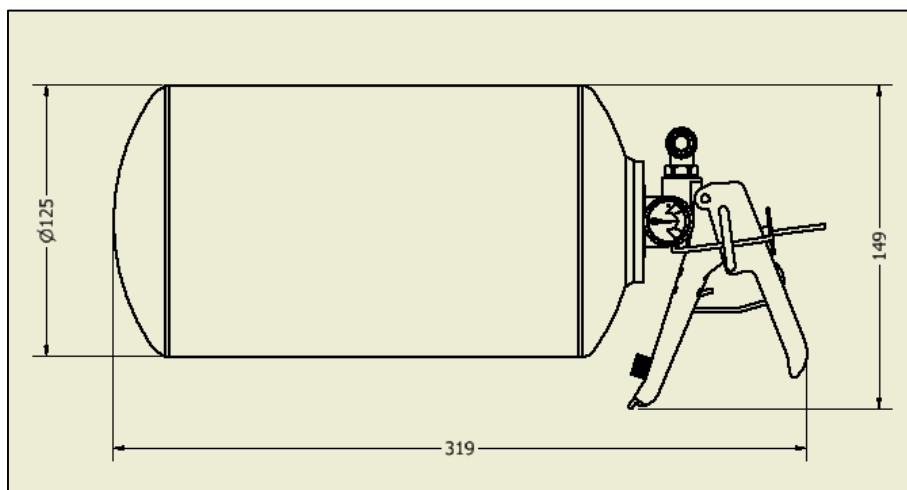
104-225-003-B Zero 360 FIA 2.25kg Novec 1230 Remote Charge – CD



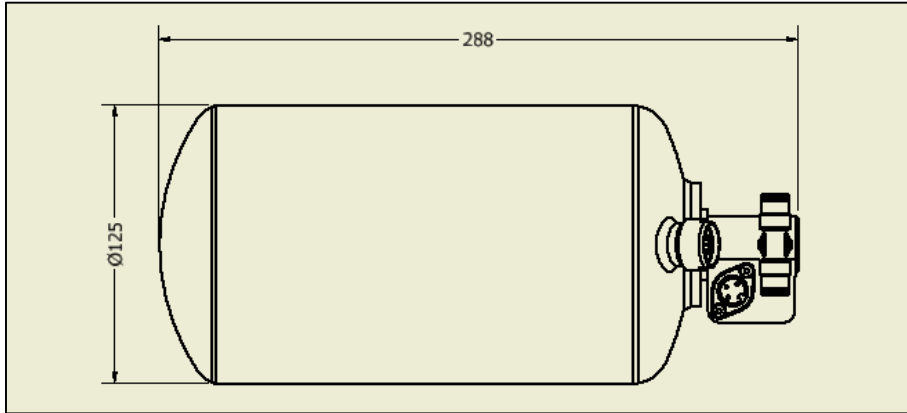
104-225-011-B Zero 360 FIA 2.25kg Novec 1230 Fire Marshal



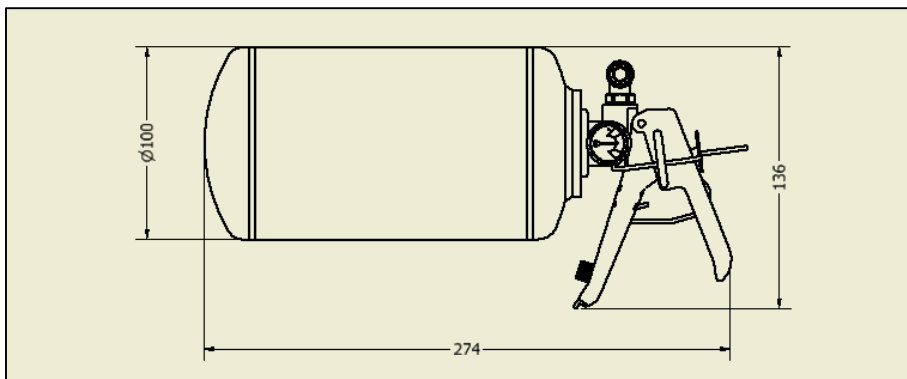
104-300-001-B Zero 360 FIA 3.0kg Novec 1230 Remote Charge - CD



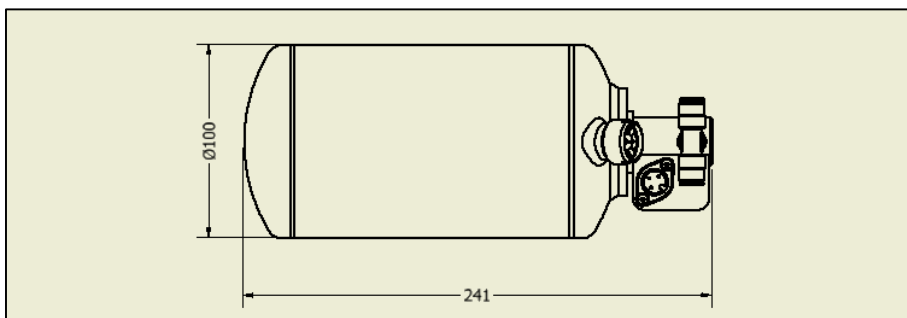
104-300-002-B Zero 360 FIA 3.0kg Novec 1230 Stored Pressure Mechanical



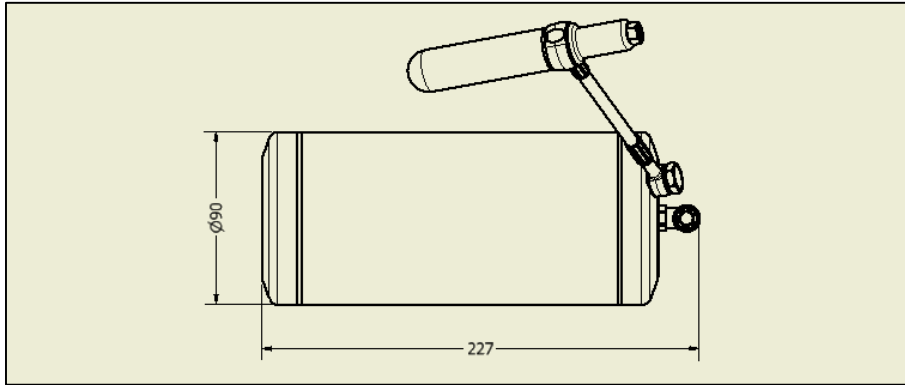
104-300-002-B Zero 360 FIA 3.0kg Novec 1230 Stored Pressure Electrical



104-150-001-B Zero Zero FIA 1.5kg Stored Pressure Mechanical

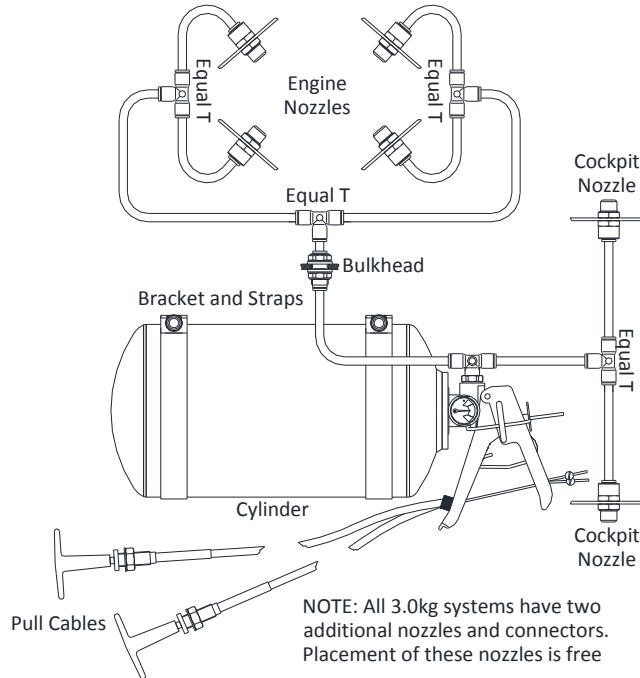


104-150-002-B Zero Zero FIA 1.5kg Stored Pressure Electrical

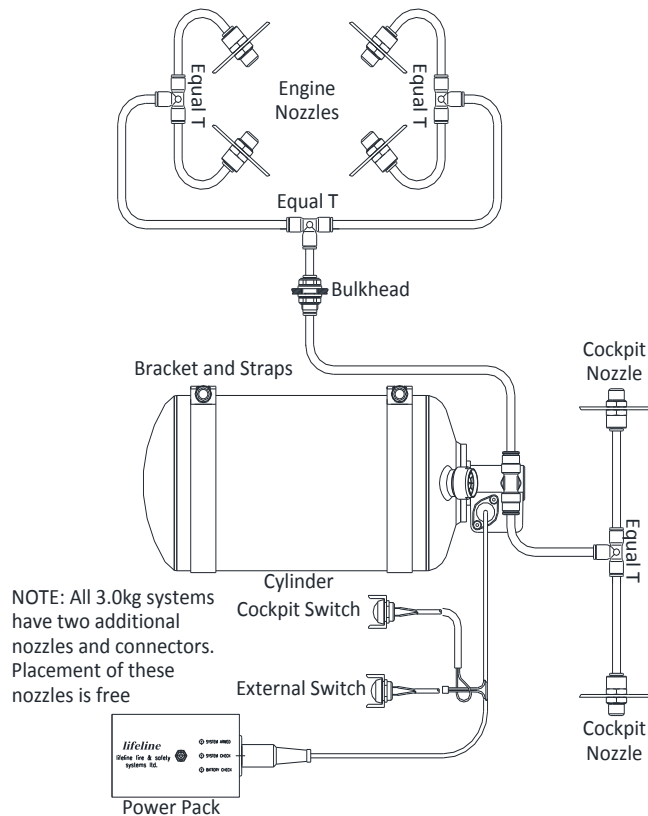


104-150-003-B Zero Zero FIA 1.5kg Remote Charge - CD

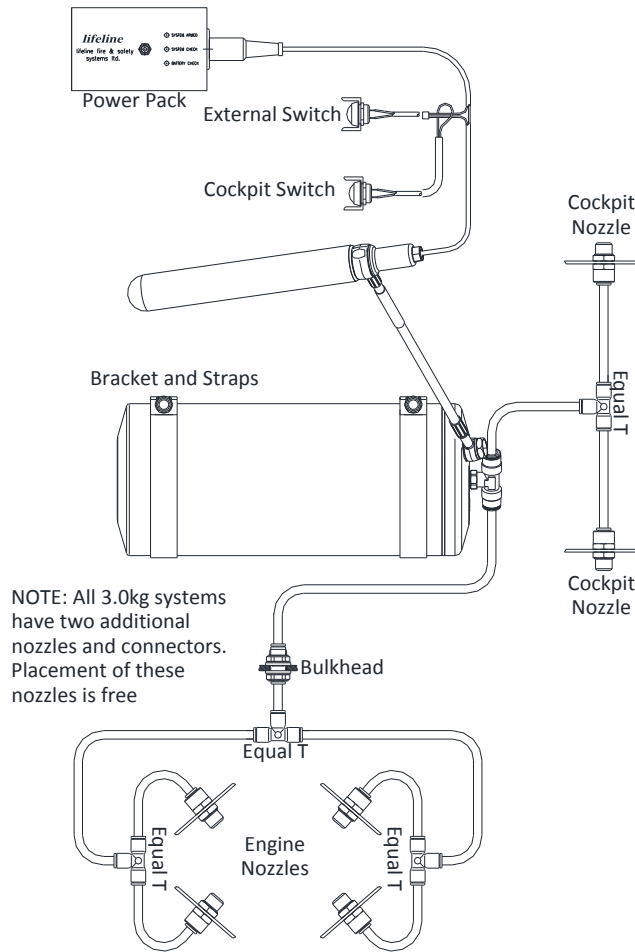
System Schematics



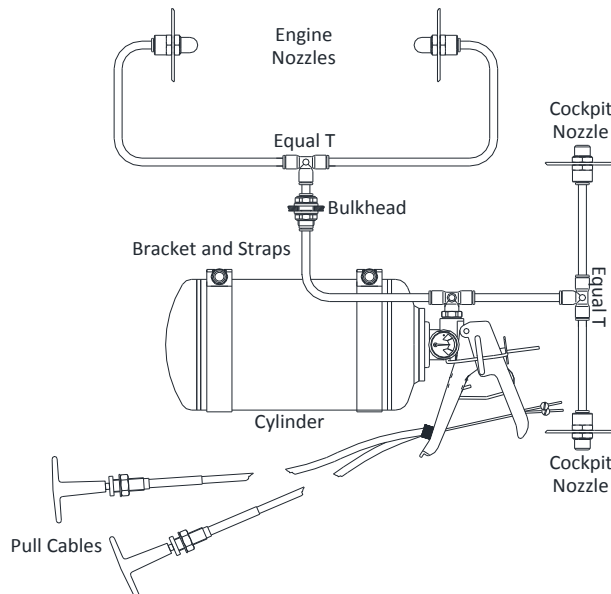
Zero 360 Mechanical System 104-225-001, 104-225-011, 104-300-002 (103-225-003)



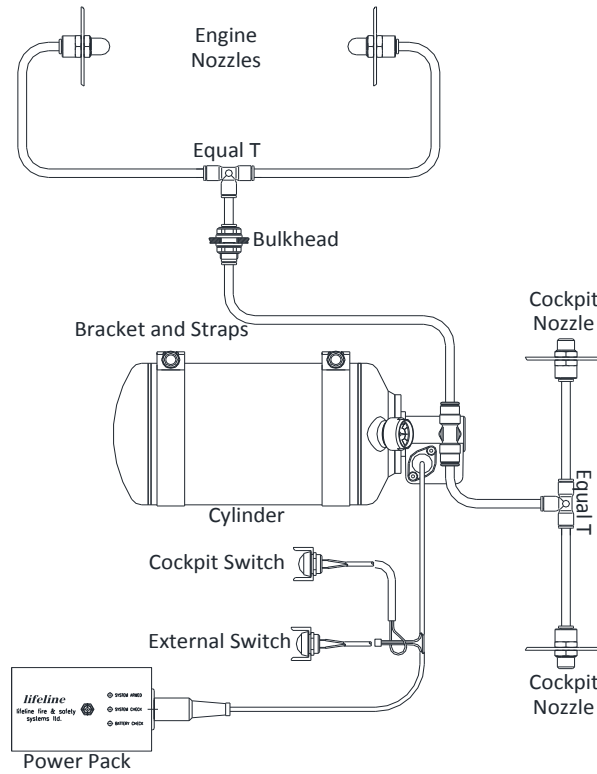
Zero 360 Electrical System 104-225-002, 104-300-003 (103-225-004)



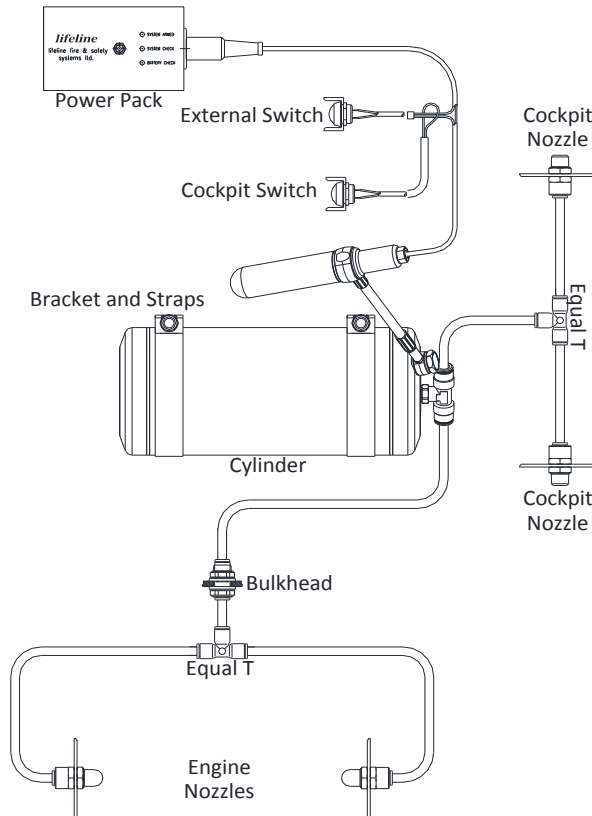
Zero 360 CD Remote Systems 104-225-003, 104-300-001 (103-225-001, 103-300-001)



Zero Zero Mechanical System 104-150-001



Zero Zero Electrical System 104-150-002



Zero Zero CD Remote System 104-150-003



Notes



Notes

--	--



Notes