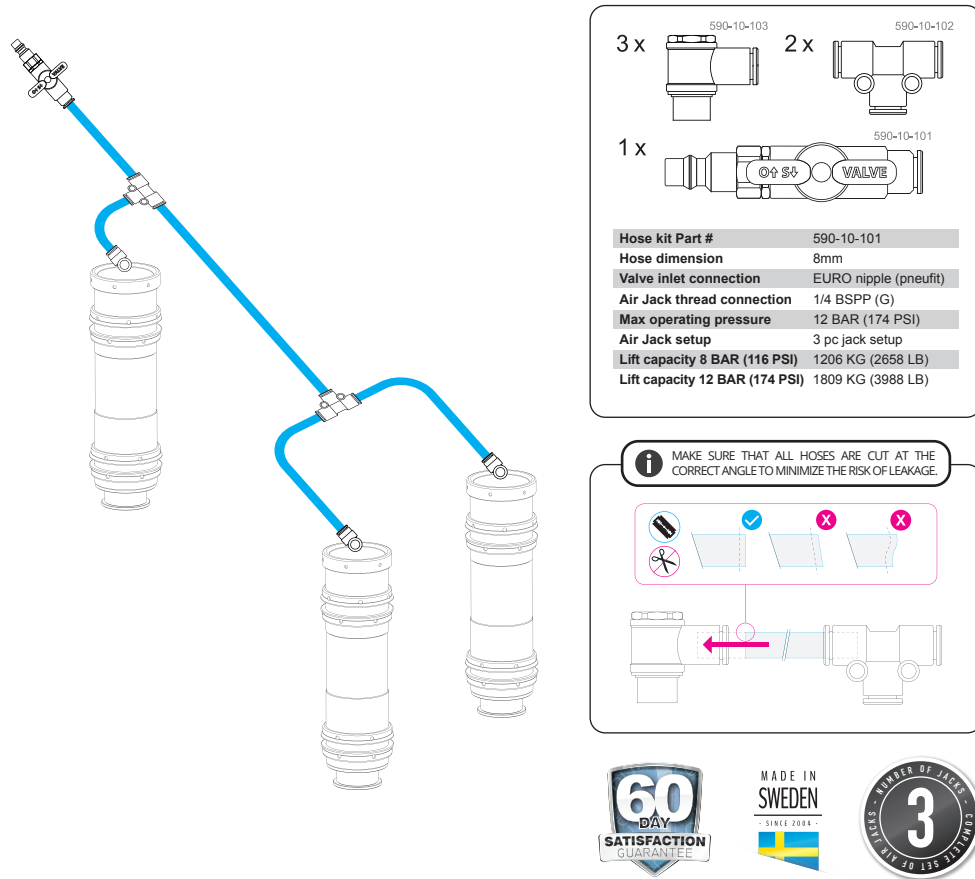


Recommended 3 cylinder plumbing



PLUMBING :

The hose should be mounted so that it cannot be damaged or affected when the driver steps in and out of the vehicle and at a distance from moving parts, which entails a risk of squeezing the hose. Cut the tubing to the desired length with a razor blade or hose cutter to prevent crushing or distorting tubing.

Corresponding hoses should be of the same length to avoid distortion in lifting function. The hose kit comes with 10 m (32.8 ft), which fits most installations according to our experience. If you need to supplement with an additional hose or replace a damaged hose, this is sold as an accessory.

The 8mm tube included with the Nuke Performance hose kit is recommended to use up to 16 BAR (232 PSI).

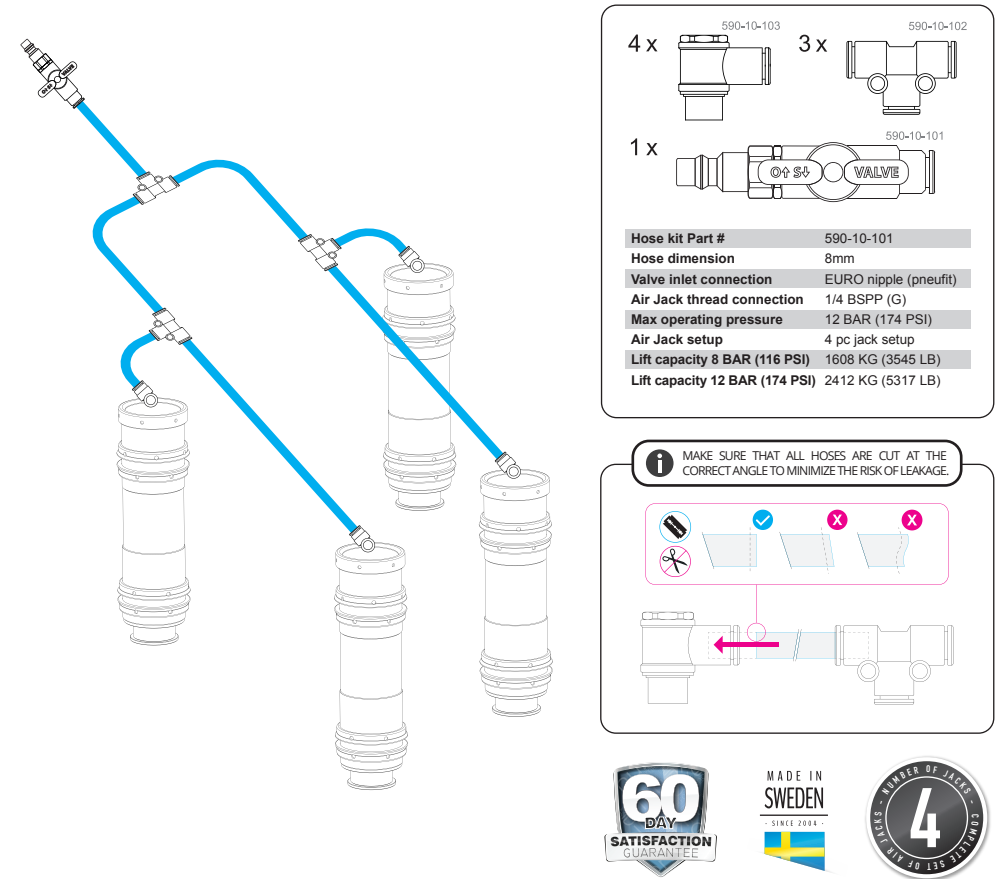
VALVE PLACEMENT :

Position the air valve so it remains protected at all conditions to prevent malfunction due to debris. It is recommended to place the valve inside the vehicle's passenger compartment or luggage compartment.

HELPFUL TIPS :

Fixate hose with cable ties or brackets for safe and easy plumbing. Do not route near headers, turbo or exhaust. Place valve in an easy to reach position. If you need assistance with installation, contact us directly or your nearest / local distributor or dealer for advice.

Recommended 4 cylinder plumbing



PLUMBING :

The hose should be mounted so that it cannot be damaged or affected when the driver steps in and out of the vehicle and at a distance from moving parts, which entails a risk of squeezing the hose. Cut the tubing to the desired length with a razor blade or hose cutter to prevent crushing or distorting tubing.

Corresponding hoses should be of the same length to avoid distortion in lifting function. The hose kit comes with 10 m (32.8 ft), which fits most installations according to our experience. If you need to supplement with an additional hose or replace a damaged hose, this is sold as an accessory.

The 8mm tube included with the Nuke Performance hose kit is recommended to use up to 16 BAR (232 PSI).

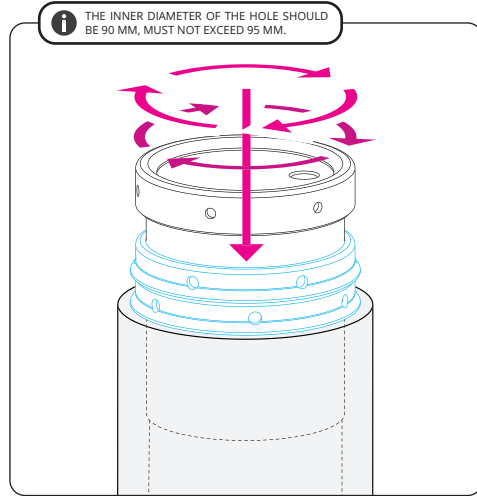
VALVE PLACEMENT :

Position the air valve so it remains protected at all conditions to prevent malfunction due to debris. It is recommended to place the valve inside the vehicle's passenger compartment or luggage compartment.

HELPFUL TIPS :

Fixate hose with cable ties or brackets for safe and easy plumbing. Do not route near headers, turbo or exhaust. Place valve in an easy to reach position. If you need assistance with installation, contact us directly or your nearest / local distributor or dealer for advice.

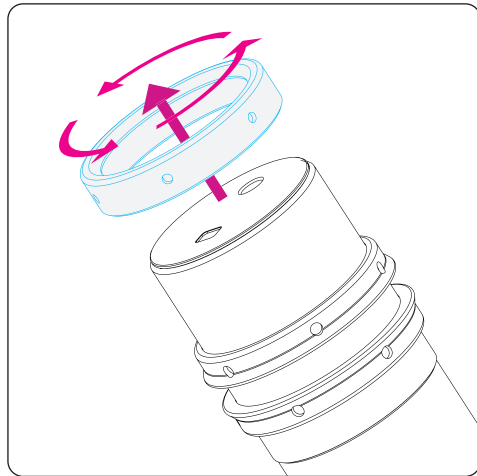
Mounting instructions



MOUNTING WITH PIPES :

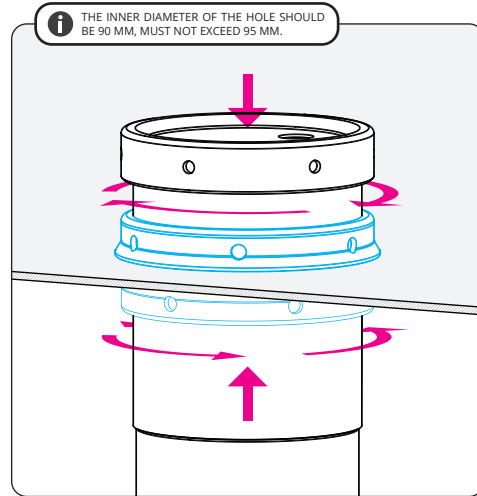
When mounting the cylinder through pipes, nuts must be used with a counter function. This is the recommended installation. Requires upper and lower attachment.

- Ø Min 90 mm (3.54")
- Ø Max 95 mm (3.74")



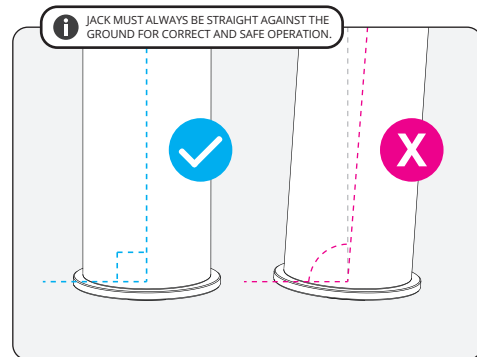
MOUNTING FROM BELOW :

For mounting through pipes or a surface from below, remove the upper ring to enable mounting. Reassemble the ring in place when it is mounted. Tightening torque 130 Nm (95.8lbs-ft).



MOUNTING WITH FLAT SURFACE :

When mounting the cylinder against/through a flat surface, a nut can be mounted on each side, whereupon the material is clamped between the nuts. Requires upper and lower attachment.



POSITIONING WHEN LIFTED :

For safe and optimized function and use, it is required that the jacks are mounted vertically in the vehicle. When the jacks are facing the ground, they should be in a fully vertical position.

STRONG ATTACHMENT IS REQUIRED :

The mounting of the jack in the vehicle must be sufficiently rigid so that the jack cannot move in its position or worst case get loose.

We advocate that the fastening part is welded to load-bearing parts of the vehicle body. Under no circumstances may the air jack be used as a traditional jack without being mounted in the vehicle.

Plumbing and installation of the Air Jacks

PLUMBING AND INSTALLATION OF THE NUKE PERFORMANCE AIR JACK 90 COMPETITION :

The hose should be mounted so that it cannot be damaged or affected when the driver steps in and out of the vehicle and at a distance from moving parts, which entails a risk of squeezing the hose. Keep the hose away from the downpipe, turbo and other parts that can get really hot. Cut the tubing to the desired length with a razor blade or hose cutter to prevent crushing or distorting the tube. Corresponding hoses should be of the same length to avoid distortion in lifting function.

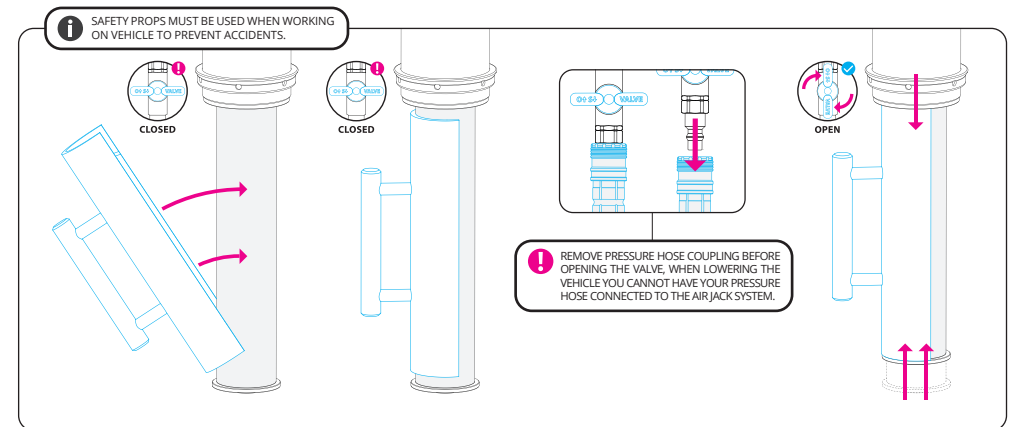
AIR JACK PLACEMENT :

Front-mounted air jacks should be mounted behind the front tires but as far forward as possible. Rear air jacks should be mounted in front of rear tires if possible. The vehicle's ordinary lift points give you a good sign on where to mount the air jacks. The air jack must be mounted so it stays level with the vehicle, both when lifted and when retracted. The air jack foot should be mounted above the lowest point on frame rails or vehicle floor to prevent the cylinder getting damaged during racing. Each air jack must be mounted properly to the vehicle structure or chassis and as vertical as possible.

VALVE PLACEMENT :

Position the valve so it remains protected at all conditions to prevent malfunction due to debris. Recommended is to place the valve within the vehicle body and not visible to outer elements. The valve must be open when using the vehicle, you must only close the valve when mounting the safety props to the air jacks. If the valve is closed during driving, temperature changes can make the air jacks go down slightly during driving.

Safety Prop instructions



USAGE OF SAFETY PROPS :

Safety Props must be used if you intend to work under the vehicle or when the wheels of the vehicle are to be removed longer than during a quick change.

We advocate and recommend that you use the Nuke Performance safety props for all type of use of the Nuke Performance Competition 90 Air Jacks.

If an accident should occur and the pressure disappears due to leakage, malfunction or handling error, there is a risk of very serious injuries if the correct safety equipment is not used

SAFETY PROPS OPERATION :

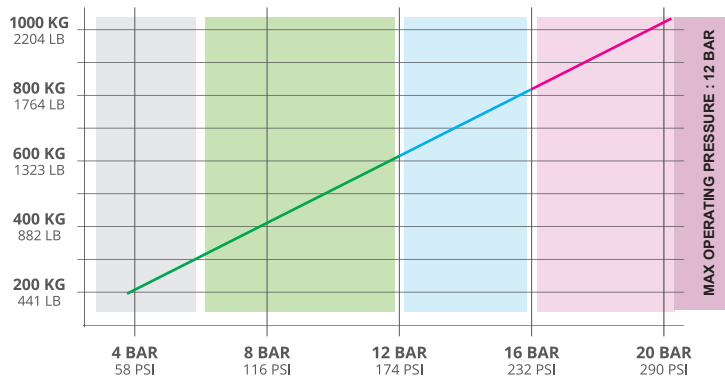
- 1 When the vehicle is fully raised, make sure the valve is closed. Then mount the safety prop on each air jack.
- 2 When all air jacks are fitted with safety props, remove pressure hose from the connection. Make sure that the valve is still closed when removing pressurized coupling.
- 3 Carefully open the valve to release pressure and allow the vehicle to be lowered and the safety props to be fixed by the weight of the vehicle.

Specifications

AIR JACK SPECIFICATIONS :

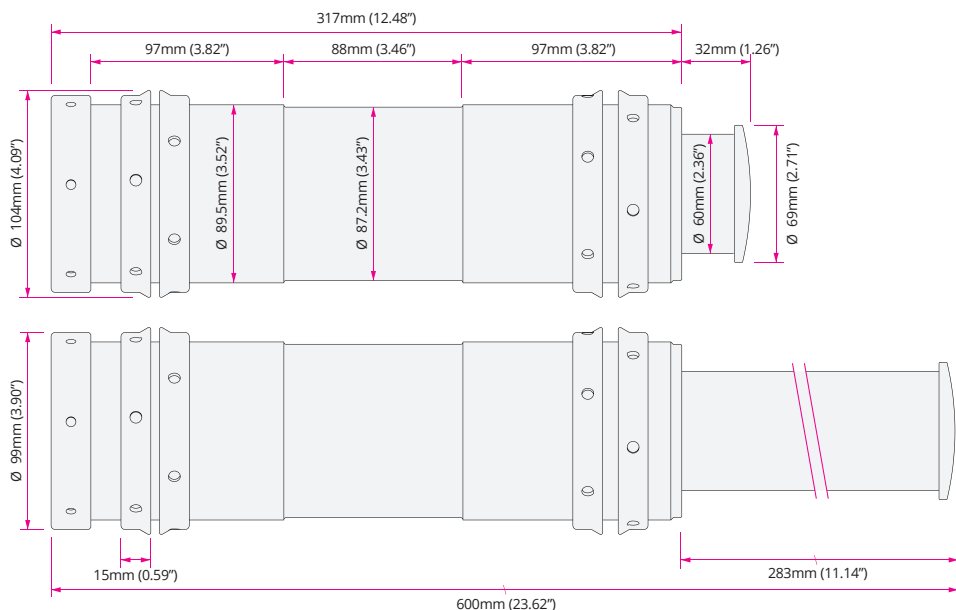
The Nuke Performance Air Jack 90 Competition is a product born out of requests from Swedish motorsports where a solution for easy use, lightweight, 8 BAR (120 PSI) air jack system was highly wanted. The 90-series air jacks are made to be used together with standard workshop, which omits the need for additional equipment such as a compressed air bottle, lance, or high-pressure system.

Optimal operation pressure is between 6 - 12 BAR (87 - 174 PSI) as most workshop compressors are available in between 8 - 12 BAR (116 - 174 PSI) this is what we specified the jacks to work with. At as low as 8 BAR, these air jacks will lift 402 KG (886 LB) each, and in a 4-jack system, it results in a full 1608 KG (3545 LB).



Dimensions

Outer diameter	89.5mm (3.52")	Min Ø mounting Hole	90mm (3.54")	Lift capacity 8 BAR (116 PSI)	402 KG (886 LB)
Length retracted	349mm (13.74")	Max Ø mounting Hole	95mm (3.74")	Lift capacity 12 BAR (174 PSI)	603 KG (1329 LB)
Total lift height	251mm (9.88")	Steel spanner pin wrench	99mm (3.90")	Tightening torque (top ring)	130 Nm (95.8lbs-ft)
Air Jack thread connection	1/4 BSPP (G)	Max operating pressure	12 BAR (174 PSI)	Tightening torque (nut ring)	130 Nm (95.8lbs-ft)

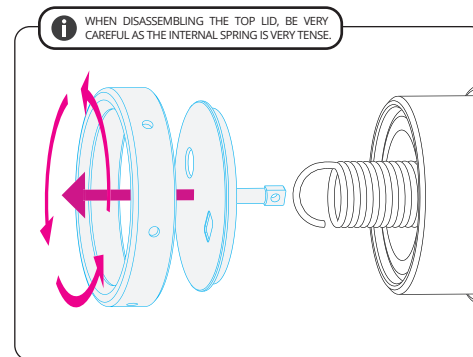


Replacement of air jack feet

REPLACEMENT OF DAMAGED FEET :

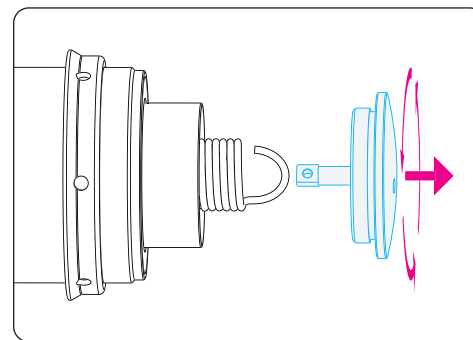
If the air jack foot is damaged, it can be replaced. You can order your spare parts online or at your local Nuke Performance dealer.

If the piston thread is damaged, please contact us for consultation; there must be a valid seal between the piston and the foot.



STEP 1 :

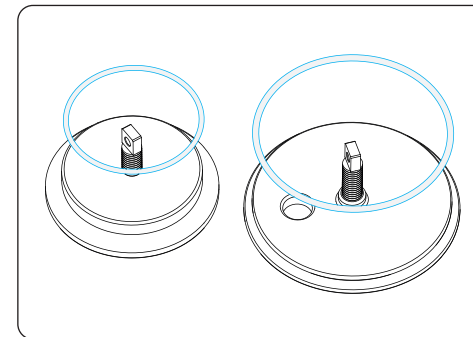
Loosen the nut on the top side of the air jack by screwing it counterclockwise. Pull the lid straight out of the air jack, preferably pulling the air fitting. Be careful and pull the cover out with high force. Be sure to fixate the spring at the same time so that it does not travel back into the piston with force. We recommend a spring hook tool for this operation.



STEP 2 :

After releasing the spring back into the piston, unscrew the foot using a pin wrench and pull it out to unhook it from the internal spring.

If the foot is too heavily damaged to be able to use the pin wrench, drill two holes at the same place where the pin wrench holes have been and use these instead, make sure to not damage the piston.



STEP 3 :

Fit new o-rings on the foot and at the top lid, these are included together with the replacement foot. Attach the spring to the foot first and then reassemble the air jacks in the opposite order. We recommend that you use a spring hook tool for this operation.

Safety disclaimer

EN		INCORRECT INSTALLATION CAN CAUSE SERIOUS DAMAGE TO THE PRODUCT AND VEHICLE. AS A RESULT, ACCIDENTS, PROPERTY DAMAGE AND PERSONAL INJURY ARE POSSIBLE. INSTALLATION MAY ONLY BE CARRIED OUT BY EXPERTS. MAKE SURE TO ALWAYS USE ALL NECESSARY SAFETY EQUIPMENT. THE MANUFACTURER IS NOT LIABLE FOR DAMAGE CAUSED BY IMPROPER INSTALLATION.
DE		BEI UNSACHGEMÄßER INSTALLATION KÖNNEN SCHWERE SCHÄDEN AN PRODUKT UND MOTOR ENTSTEHEN. INFOLGEDESSEN SIND UNFÄLLE, SACH- UND PERSONENSCHÄDEN MÖGLICH. DER EINBAU DARF NUR DURCH GESCHULTES FACHPERSONAL MIT DER NOTWENDIGEN SICHERHEITSAUSRÜSTUNG ERFOLEN. DER HERSTELLER HAFTET NICHT FÜR SCHÄDEN DURCH NICHT FACHGERECHTE MONTAGE.
ES		UNA INSTALACIÓN INCORRECTA PUEDE CAUSAR SERIOS DAÑOS TANTO AL PRODUCTO COMO AL VEHÍCULO, COMO CONSECUENCIA, ES PROBABLE QUE SE PRESENTEN ACCIDENTES, DAÑOS MATERIALES Y LESIONES PERSONALES. LA INSTALACIÓN SÓLO DEBE SER REALIZADA POR EXPERTOS. CERCIÓRESE DE UTILIZAR SIEMPRE TODO EL EQUIPO DE SEGURIDAD NECESARIO. EL FABRICANTE NO SE HACE RESPONSABLE DE LOS DAÑOS CAUSADOS POR UNA INSTALACIÓN INCORRECTA.
FR		UNE INSTALLATION NON CONFORME PEUT PROVOQUER DES DOMMAGES SÉRIEUX SUR LE PRODUIT ET LE VÉHICULE. PAR CONSÉQUENT, DES ACCIDENTS, DES DÉGÂTS MATÉRIELS ET DES BLESSURES CORPORELLES SONT POSSIBLES. L'INSTALLATION DOIT UNIQUEMENT ÊTRE EFFECTUÉE PAR DES EXPERTS, ASSUREZ-VOUS DE TOUJOURS UTILISER TOUS LES ÉQUIPEMENTS DE SÉCURITÉ NECESSAIRES. LE FABRICANT NE PEUT ÊTRE TENU POUR RESPONSABLE EN CAS D'INSTALLATION NON CONFORME.
SE		FELAKTIG INSTALLATION KAN ORSAKA ALLVARLIGA SKADOR PÅ PRODUKT OCH FORDON. SOM ETT RESULTAT ÄR OLYCKOR, EGENDOMSSKADOR OCH PERSONSKADOR MÖJLIGA. INSTALLATIONEN FÅR ENDAST UTFÖRAS AV EXPERTER. SE TILL ATT ALLTID ANVÄNDA NÖDVÄNDIG SÄKERHETSUTRUSTNING. TILLVERKAREN ANSVARAR INTE FÖR SKADOR ORSAKADE AV FELAKTIG INSTALLATION.