

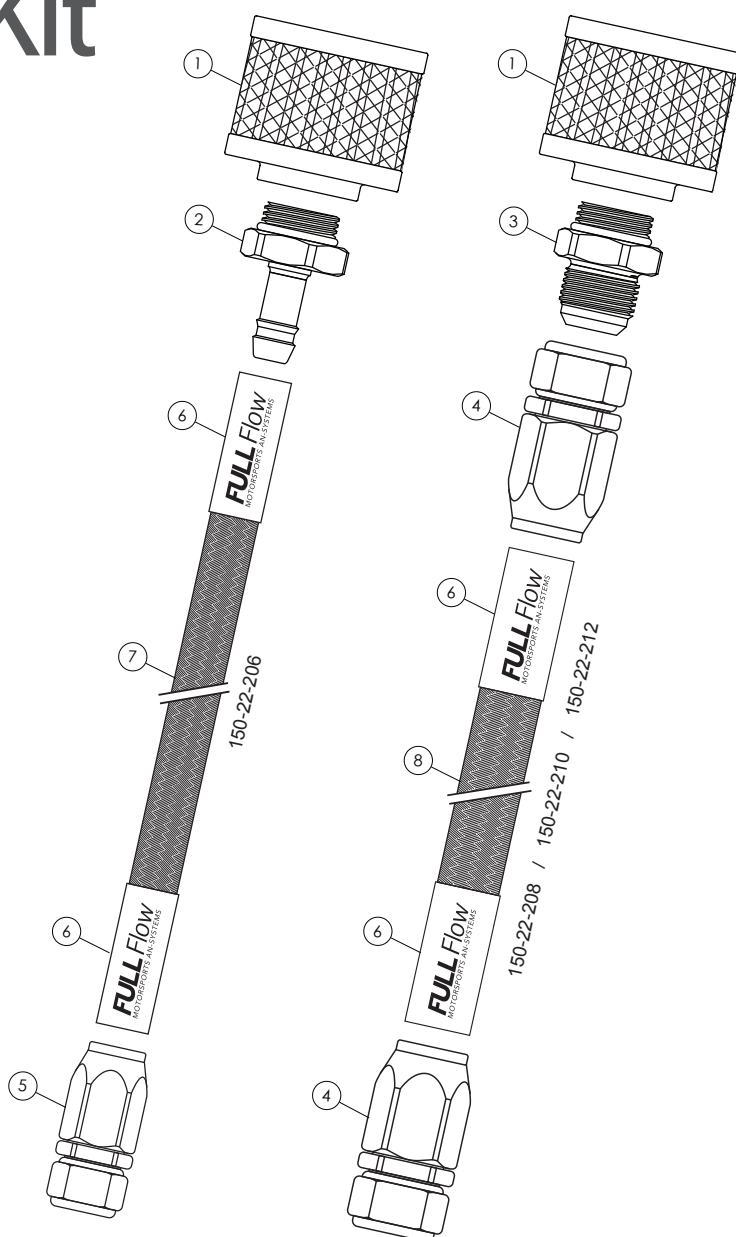
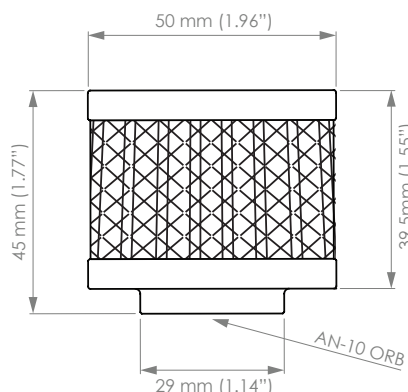
Fuel Cell Vent Kit

AN-6 Part # 150-22-206 AN-8 Part # 150-22-208
AN-10 Part # 150-22-210 AN-12 Part # 150-22-212

Assembly Instructions | © Nuke Performance AB 2022

For more information visit : www.nukeperformance.com

- 1** Universal Air Filter with AN-10 ORB thread
Aluminum top and bottom, stainless steel reinforced cotton media
- 2** AN-10 ORB to 10mm Male Barb fitting
Only included with 150-22-206
- 3** AN-10 ORB to AN-8 / 10 / 12 Male fitting
Included fitting is depending on selected kit
- 4** Full Flow AN Hose end AN-8 / 10 / 12 Straight
Included fitting is depending on selected kit
- 5** Full Flow AN Hose end AN-6 Straight
Only included with 150-22-206
- 6** Heat shrink, size depending on kit
- 7** 1m (3.3ft) Full Flow AN fuel hose AN-6
Only included with 150-22-206
- 8** 1m (3.3ft) Full Flow AN fuel hose AN-8 / 10 / 12
Included hose is depending on selected kit



Installation instructions:

- ① Choose the preferred size of the vent kit according to your needs and the equipped vent fitting on your fuel cell.
- ② Make sure to always use a roll-over protected vent fitting on your fuel cell. The Nuke Performance CFC Unit is equipped with an AN-6 roll-over protected fitting as standard and can be changed into AN-8, or AN-10 with the simple change of the vent fitting.
- ③ The vent line should route upwards for at least 20cm (0.65ft) to let eventual fuel that could be pushed into the vent line during racing be allowed to drain back into the fuel cell.
- ④ Route the line into 1-2 loops that act like a trap for any fuel that gets into the line due to vaporization or overflow of the fuel cell.
- ⑤ Route the vent line in the direction of the vehicle, the vent should be located in front of the vent on your fuel cell.
- ⑥ The end of the vent line should be higher than your filler cap, and whether using a direct or remote fill, the vent line should exit outside of any closed compartment, and away from excessive heat sources such as the exhaust system.

Nuke Performance Fuel Cell Vent Kit specifications

For more information about specifications, visit our product page on our website.

Nuke Performance : www.nukeperformance.com



Available sizes	AN-6 / AN-8 / AN-10 / AN-12
Included vent line	1m (3.3ft) nitrile fuel hose
Included air filter	Part # 150-22-101
Filter connection thread	AN-10 ORB
Filter media	Stainless steel reinforced cotton media
Fuel compatibility	Gasoline, Methanol, Ethanol, E85, E100

AN-6 Part # / EAN	150-22-206 / 7340209505276
AN-8 Part # / EAN	150-22-208 / 7340209505283
AN-10 Part # / EAN	150-22-210 / 7340209505290
AN-12 Part # / EAN	150-22-212 / 7340209505306
For motorsports use	YES



INCORRECT INSTALLATION CAN CAUSE SERIOUS DAMAGE TO THE PRODUCT AND VEHICLE. AS A RESULT, ACCIDENTS, PROPERTY DAMAGE, AND PERSONAL INJURY ARE POSSIBLE. INSTALLATION MAY ONLY BE CARRIED OUT BY EXPERTS. MAKE SURE TO ALWAYS USE ALL NECESSARY SAFETY EQUIPMENT. THE MANUFACTURER IS NOT LIABLE FOR DAMAGE CAUSED BY IMPROPER INSTALLATION.



Information:

Design combined with top quality performance.
For more information about the products and retailers visit
www.nukeperformance.com

nuke
PERFORMANCE