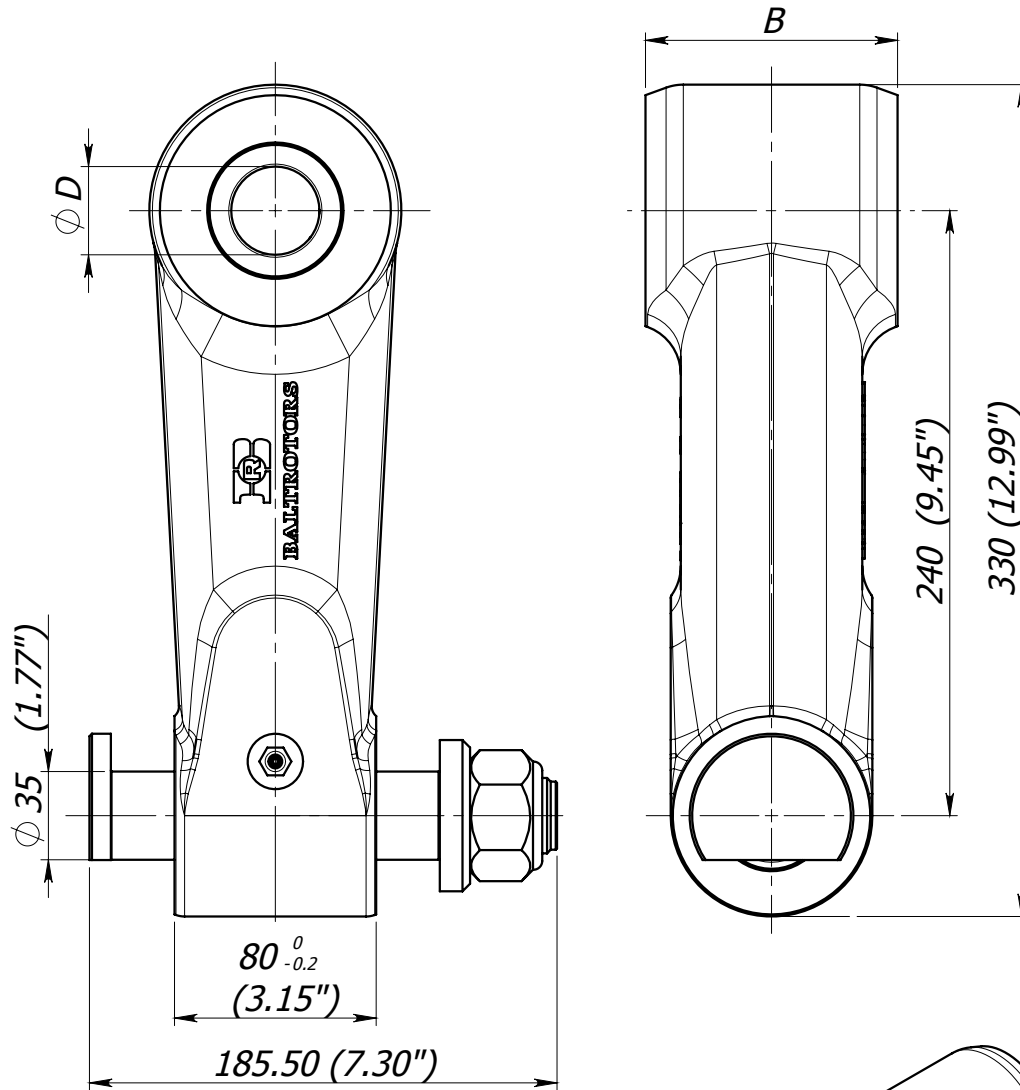
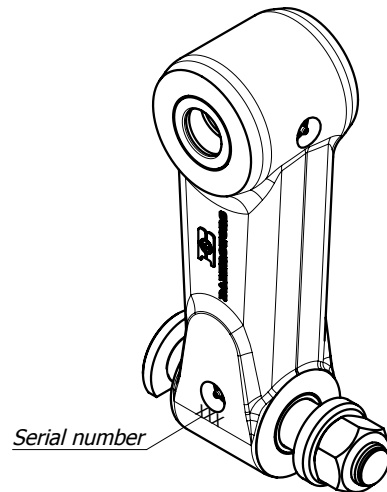


# LINK BR 2



Dimensions		
Crane nose pivot pin diameter $\phi D$ (mm)	Link width B (mm)	
		$80^{0}_{-0.2}$ (3.15")
45 (1.77")	BR 2/45	BR 2-100/45
40 (1.57")	BR 2/40	BR 2-100/40
35 (1.38")	BR 2/35	BR 2-100/35
30 (1.18")	BR 2/30	-



\* Pin locking nut is tightened with a torque of 120 Nm (89 lb ft)

\* Weight -  $16.5 \pm 1$  kg ( $36.37 \pm 2.20$  lb)

\* Fill grease Starplex EP 2, through lubricating nipple (pos. 7), until it will appear to the external surfaces. Greasing must be repeated after every 8 working hours of the link.